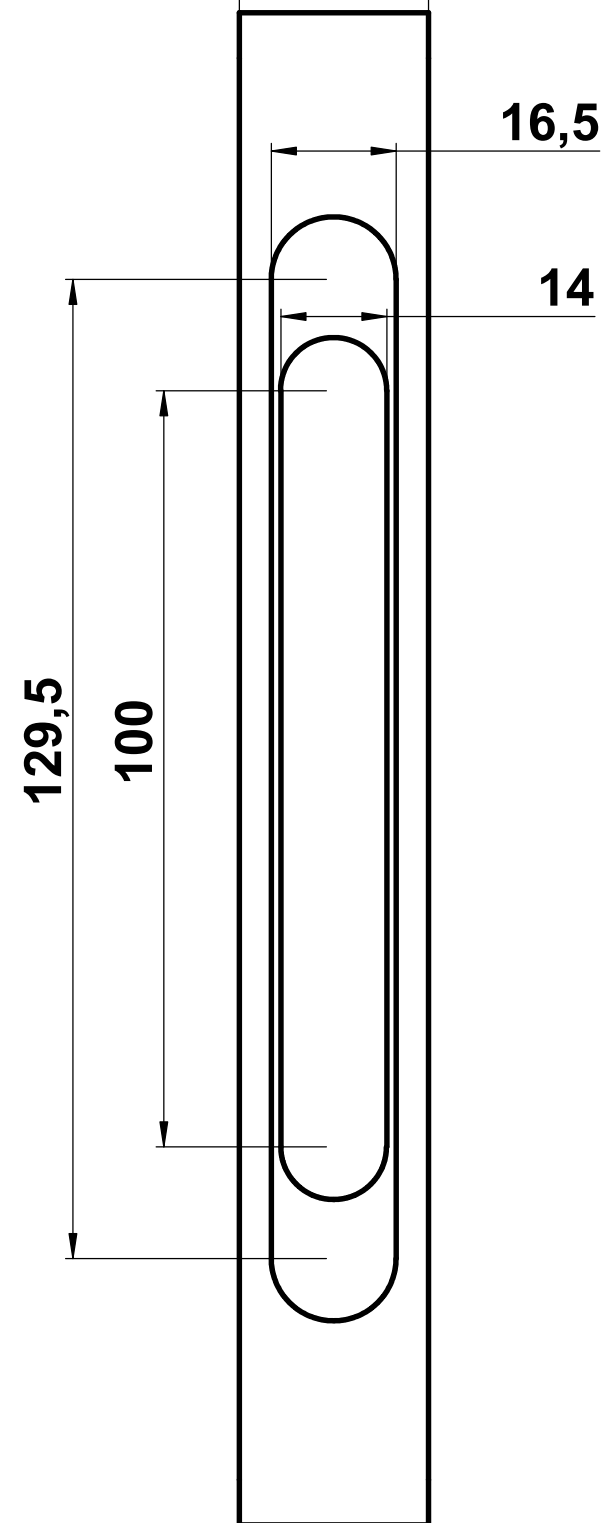
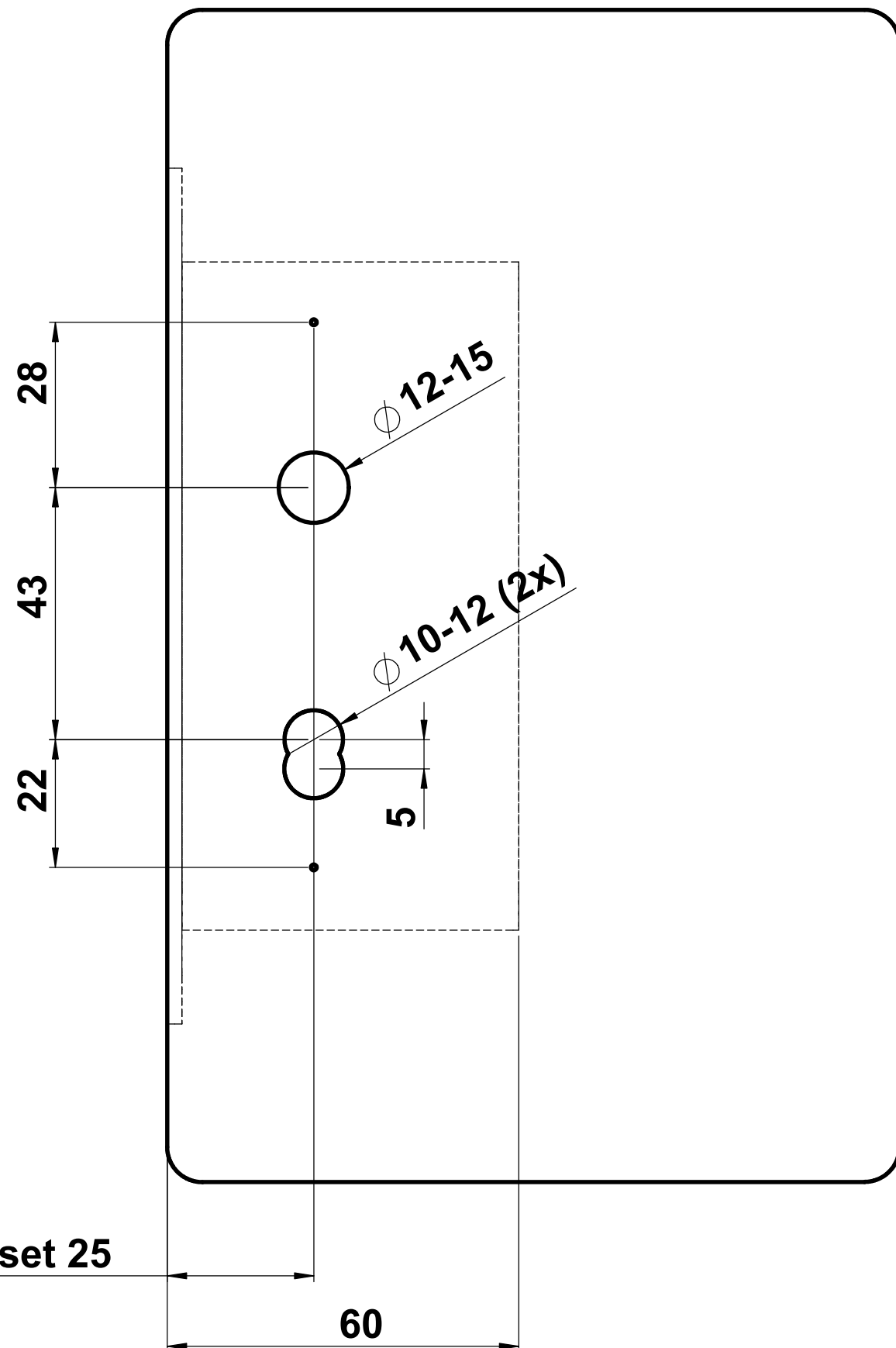


SLIM - Sliding Door Lock
Product Dimensions

Door thickness range: 20 - 45



Mounting Instruction

Drill a hole with $\phi 12-15$ mm for the handle and two holes with $\phi 10-12$ mm so an oblong hole of minimum 20 mm length for the key to pass.

Drill a space of 14 x 115 mm (9/16" x 4 1/2") with a depth of 60 mm (2 3/8") for the lock.

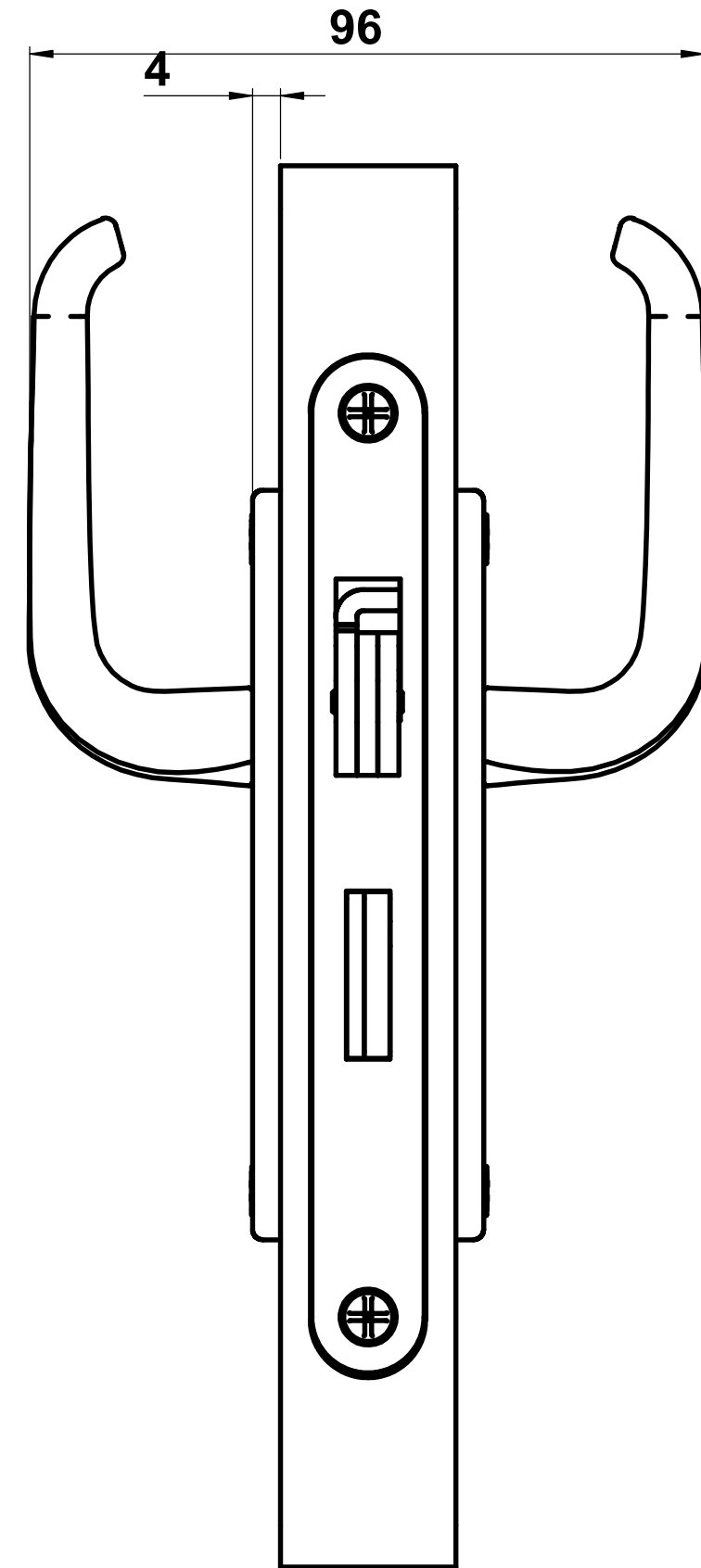
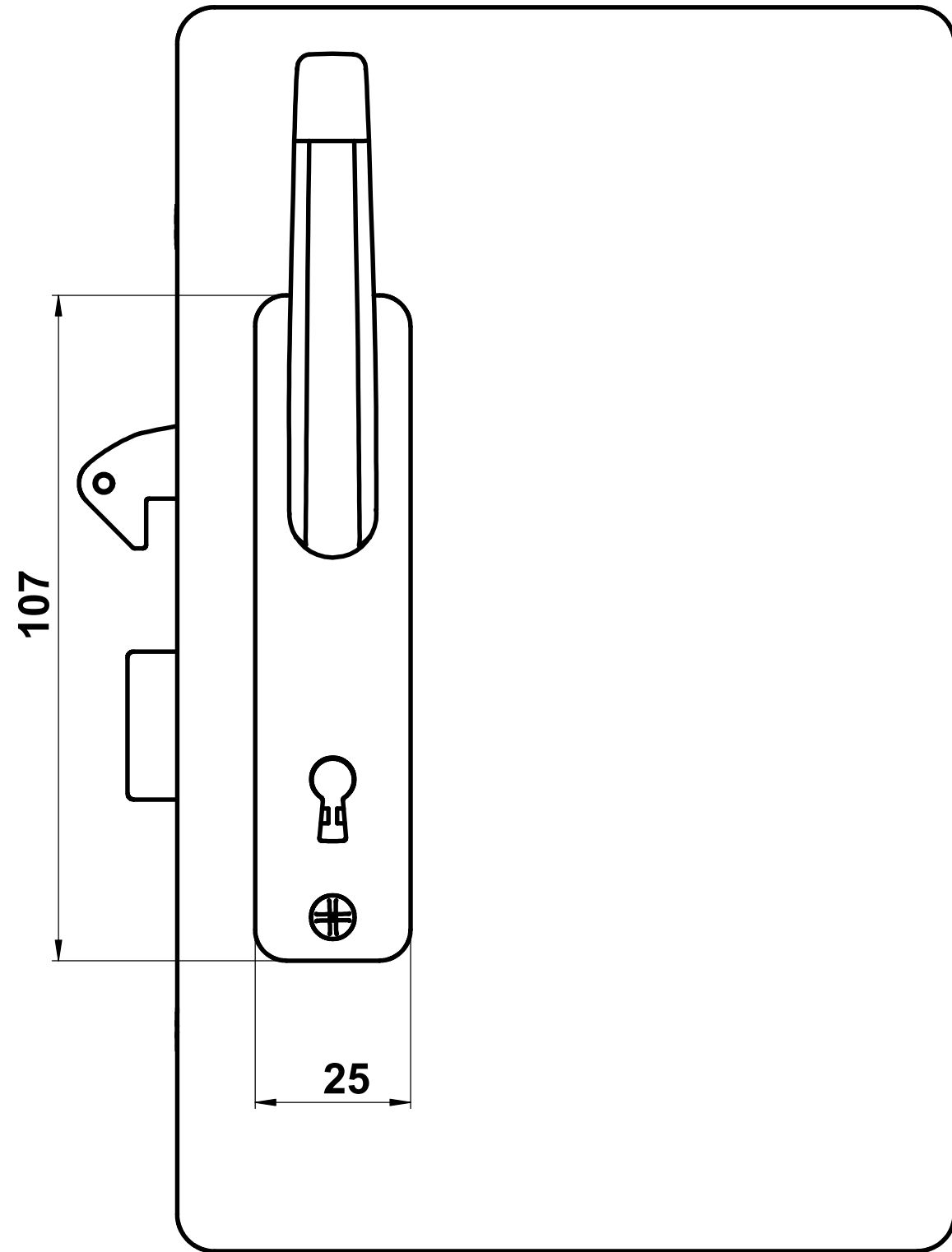
Make room for the 2,5 mm (7/6") thick and 145 x 16,5 mm (5 3/4" x 5/8") thick forend.

Drill marker holes for the plates if needed.

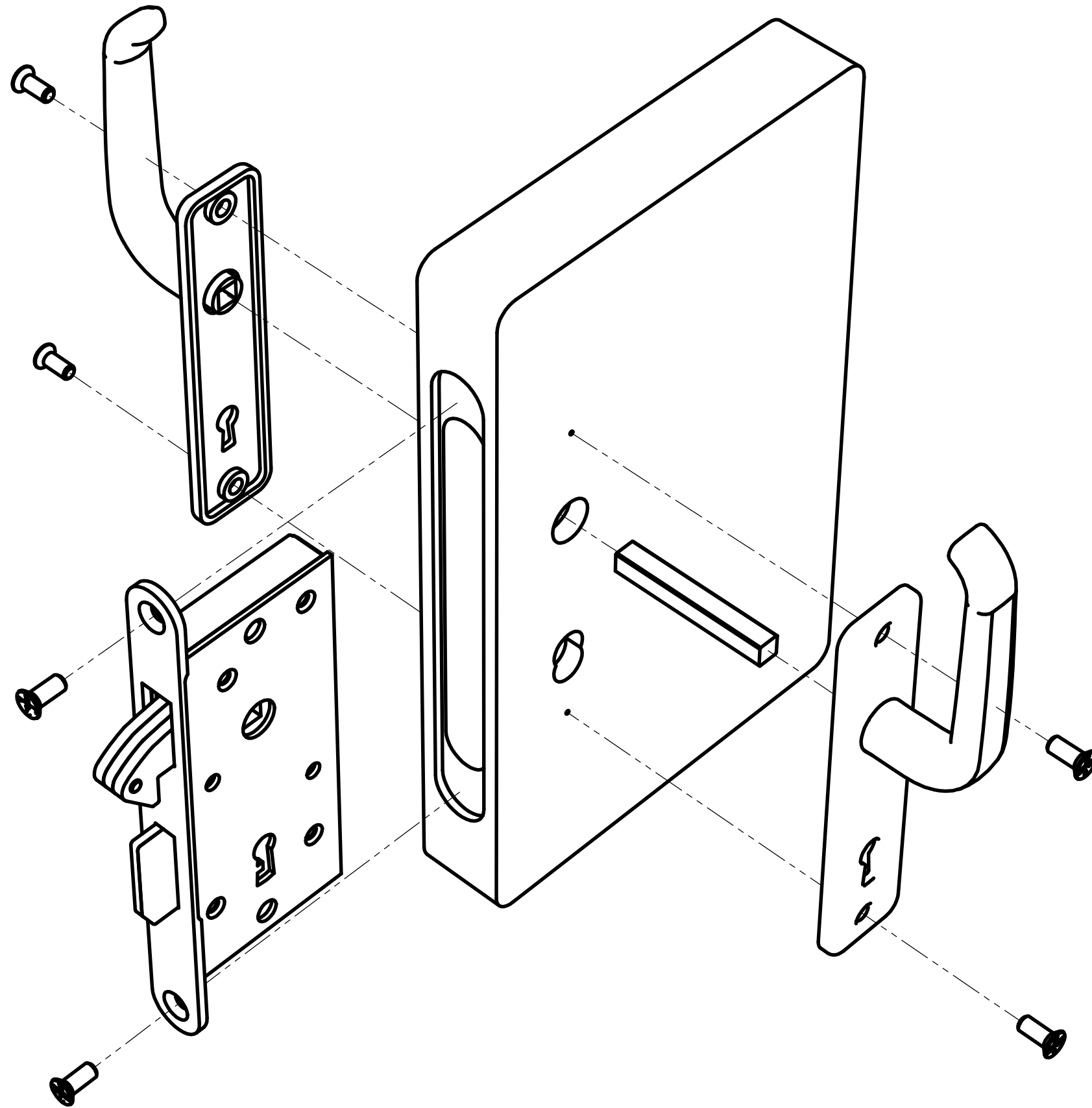
Fits doors from 20-45 mm (3/4" - 1 3/4").

SLIM - Sliding Door Lock

Panel Preparations



SLIM - Sliding Door Lock
Overall Dimensions



SLIM - Sliding Door Lock
Installation