

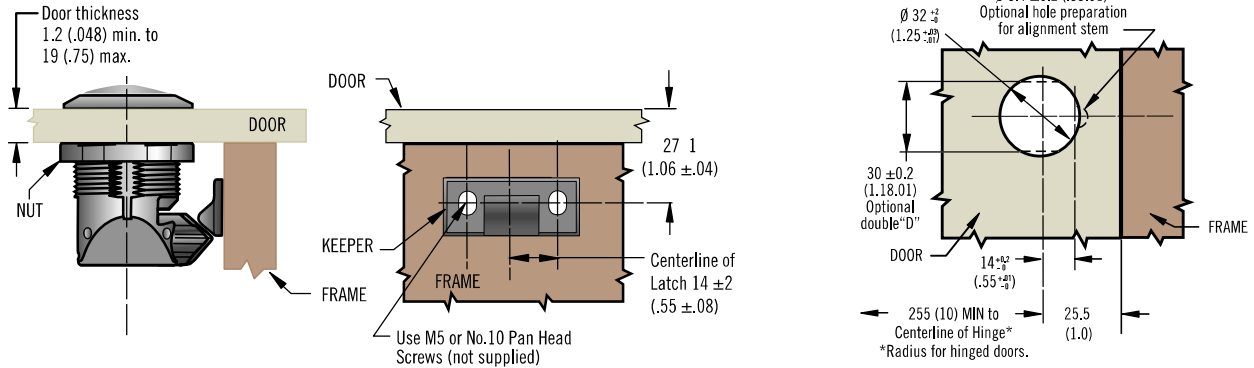


1. Prepare door and frame as shown. The following optional panel preparations may be used to ensure latch anti-rotation: alignment stem hole for panels thicker than 6,4 (.25) or a double "D" hole.

Note: alignment stem folds away if round hole preparation is used.

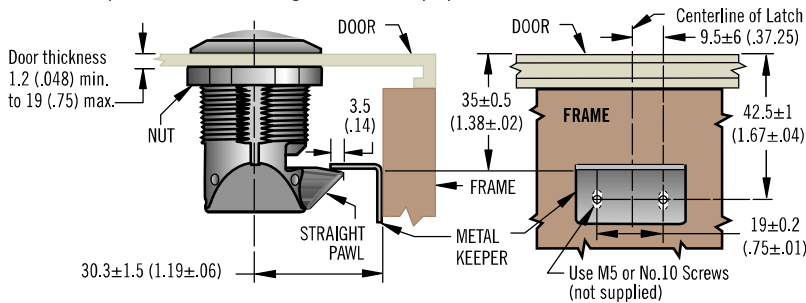
2. Insert latch through hole and tighten nut. Maximum recommended tightening torque is 4,2 N•m (37 in.-lbs). Install keeper.

### Pull to Open Installation



### Fixed-grip Installation

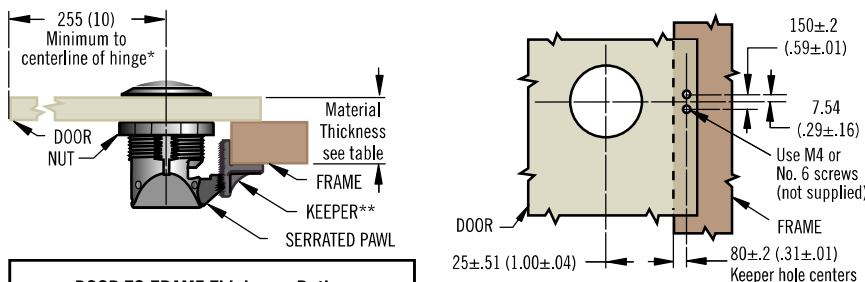
See Pull to Open installation drawing above for hole preparation detail.



If necessary, adjust keeper to eliminate any gap between Door and Frame.

### Self-adjusting Pawl Installation: Surface-mount Door

See Pull to Open installation drawing above for hole preparation detail.



DOOR TO FRAME Thickness Ratios		
DOOR Thickness	FRAME Thickness	
1.2 (.048)	23.8 (.94)	40.3 (1.59)
3.2 (.125)	21.8 (.86)	38.3 (1.51)
6.4 (.25)	18.2 (.72)	35.8 (1.41)
9.5 (.375)	15.5 (.61)	32.5 (1.28)
12.7 (.50)	12.7 (.50)	29.2 (1.15)
15.9 (.625)	10 (.39)	26.1 (1.03)
19 (.75)	10 (.39)	23 (.90)

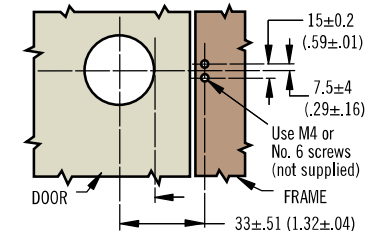
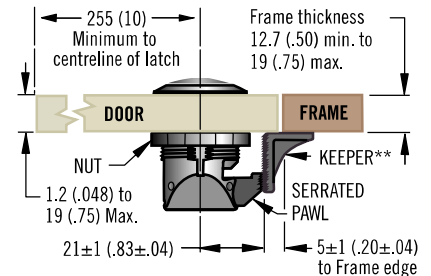
\*Radius for hinged doors. If latch is used on a drawer, there is no clearance minimum.

\*\*Keeper aligns against Frame for ease of installation.

NOTE: A gasket, bumper, or equivalent will eliminate a gap that could exist between the door and frame and eliminate possible rattle.

### Self-adjusting Pawl Installation: Flush-mount Door

See Pull to Open installation drawing above for hole preparation detail.



\*\* Keeper is not intended to be the door stop.