

# PRODUCT PAGE

For technical and availability information, please contact Onmar.

+46 (0) 16 42 86 80

info@onmar.se

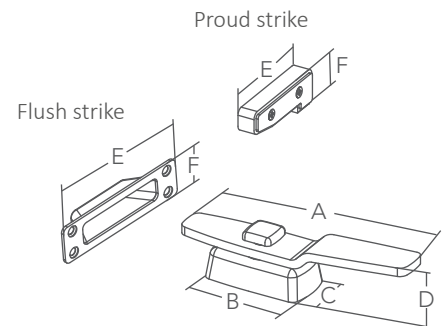
www.onmar.se

## BUTTON RELEASE TRANSOM DOOR LATCH



### Stainless Steel 316

- Contemporary design.
- One hand operation.
- Door can be opened and locked by pushing the button and rotating the handle.
- Every 90° turn can secure the handle in position.
- Two strike options for out-swing or in-swing doors.
- Strike is designed to prevent handle surface from scratching.
- Works on both right and left hand transom doors.
- OL-14-1005-24: Stainless steel 304 screws and plastic strike are included.



MODEL	SCREW SIZE
Latch Body OL-14-1007-24	M6 or 1/4"
Latch Body OL-14-1004/5-24	M5 or #10
Proud Strike	M3 or #6
Flush Strike	M4 or #8

Part number	Striker	A (mm)	B	C	D	E	F
OL-14-1004-24	Flush	213	84	49	53	108	30
OL-14-1005-24	Proud	213	84	49	53	71	24
OL-14-1007-24	No striker	166	73	39	43	-	-
OL-14-1008-24	Proud striker only						
OL-14-1009-24	Flush striker only						

